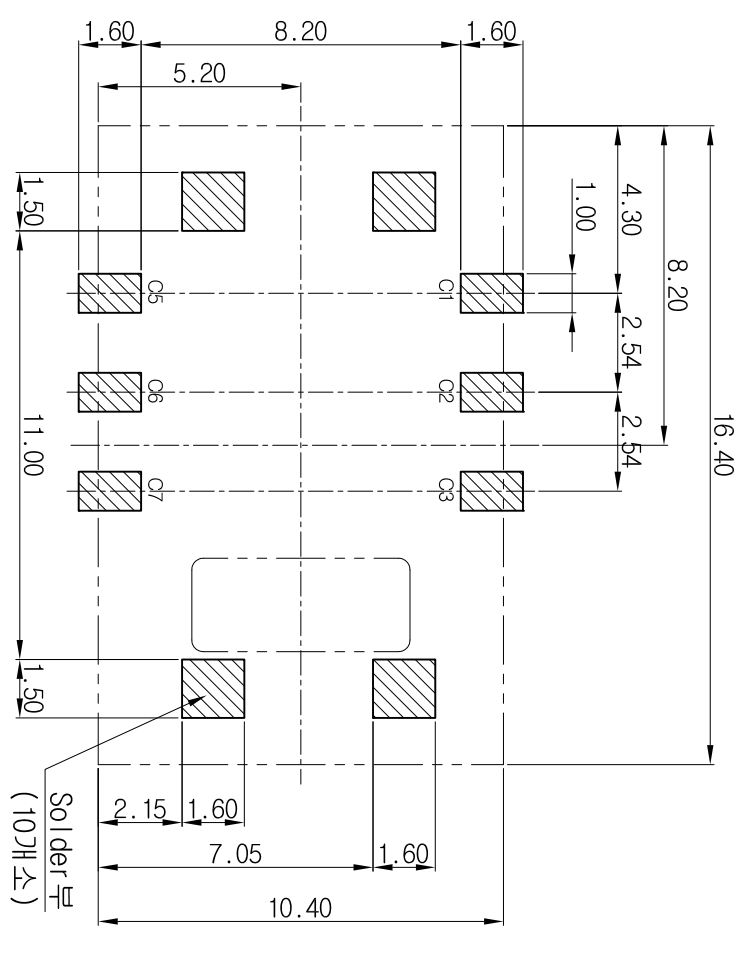
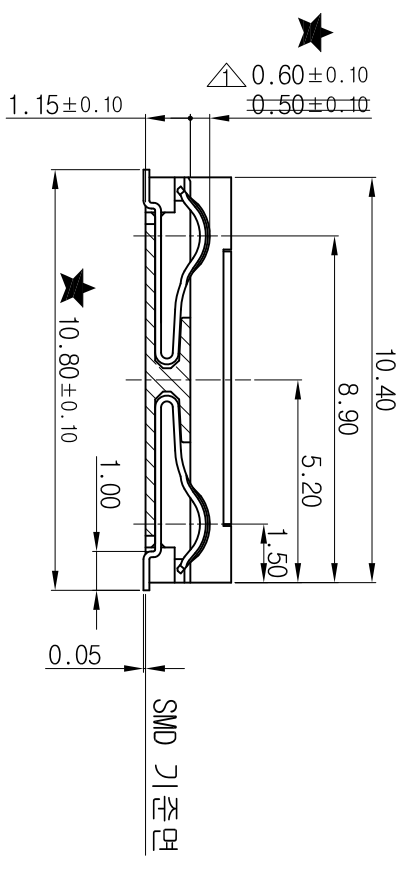
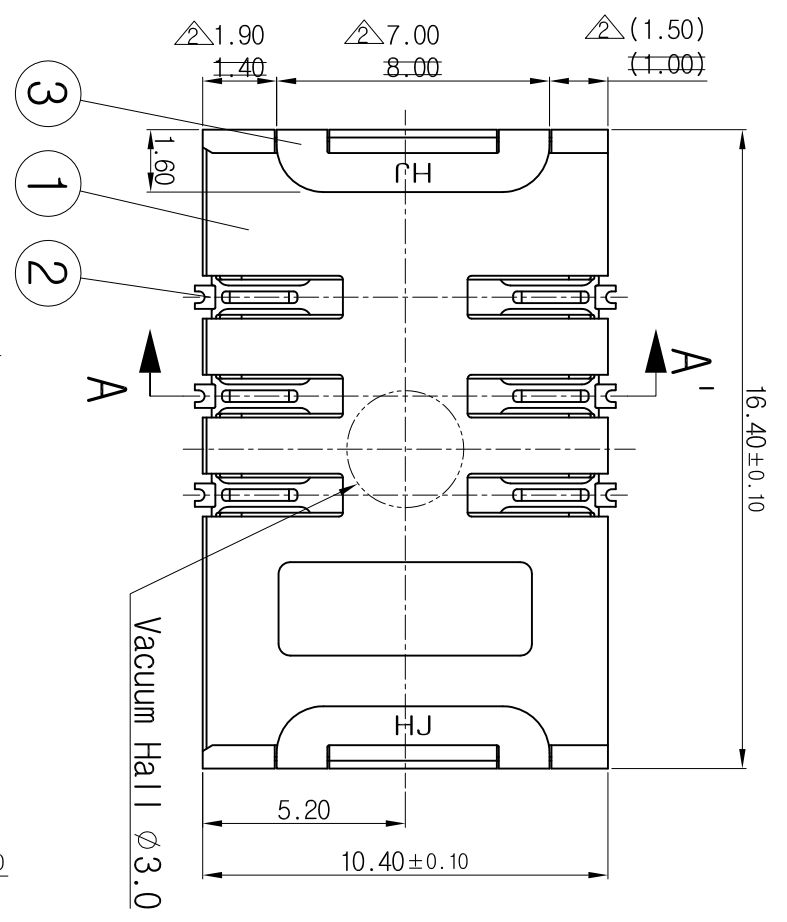
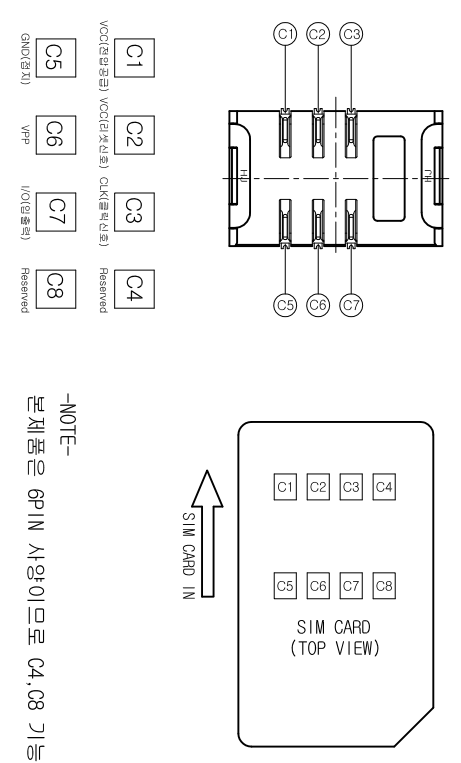


NO.	Description of Revision	Date	Name	Approval	EC NO.
△ X 1	고객 요청으로 인한 점점 Point 변경	2005.10.18	m.g. Son		
△ X 4	고객 요청으로 인한 Metal Cover 폭 변경, 도금사양 변경	2005.11.17	m.g. Son		
△ X 2	자동기 진행으로 인한 Housing 형상변경	2007.05.25	m.g. Son		070525-03
△ X 1	Housing Resin 변경 (PA9T GNE2330-1 → LCP L304T40)	2007.10.03	m.g. Son		071003-01

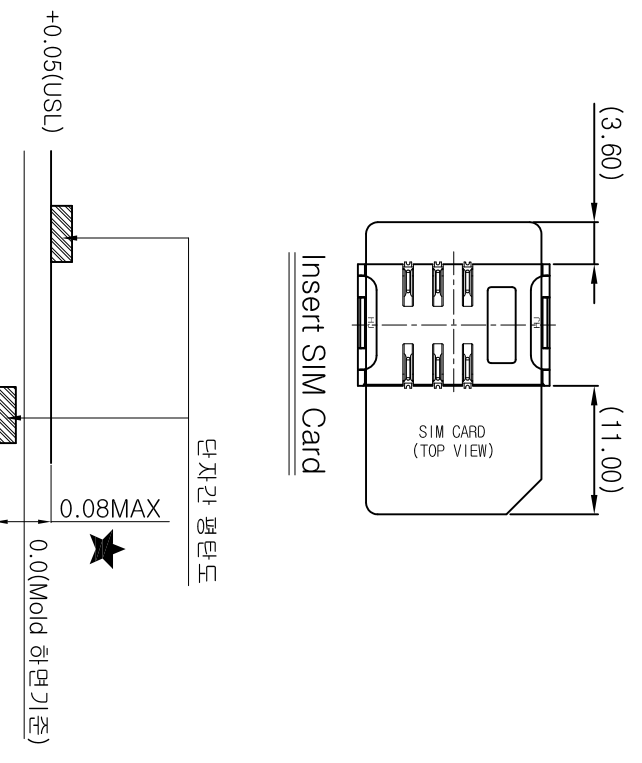
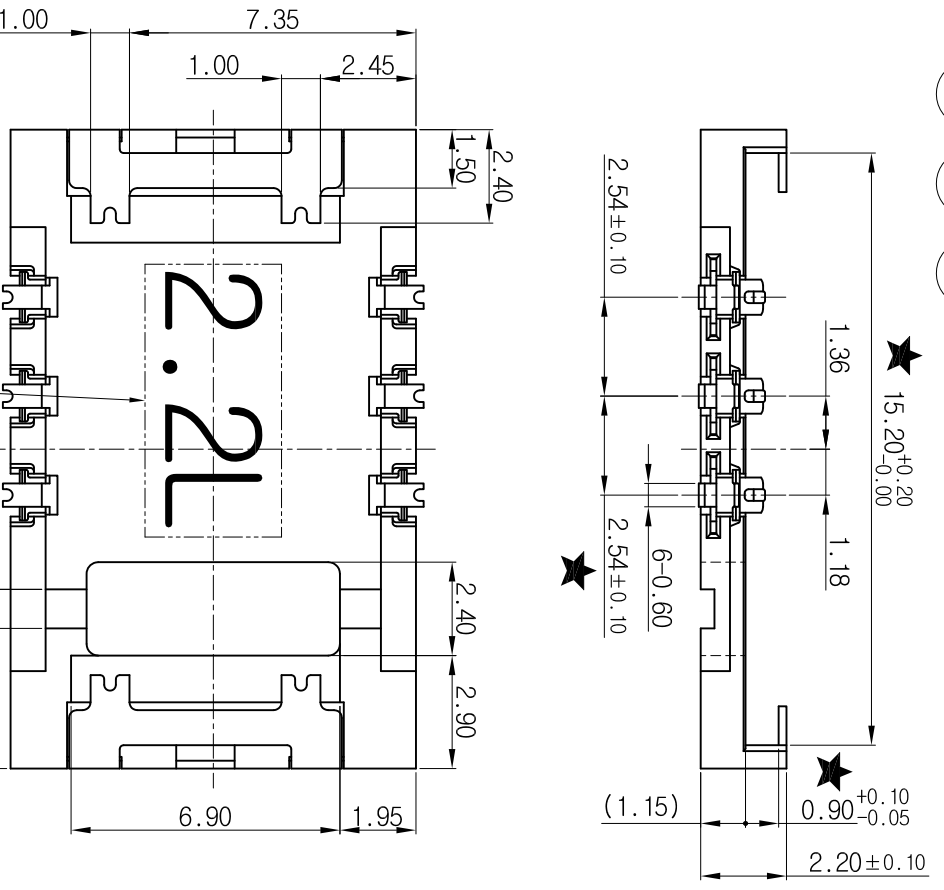


P.C.B Layout(Top View)
Tolerance : ±0.05

단자설명 및 구조해석



-NOTE-
본체품은 6PIN 사양이므로 C4, C8 기능 없음.



- NOTE-
- 지시하지 않은 공차 : ±0.1
 - ★ = C.T.Q

No.	Part Name	Material	Finish	Remarks
1	Housing	Thermoplastic(Black)	UL94V-0	PA9T (KUREHA) LCP (TORAY)
2	Contact Ter'	Beryllium Copper Alloy	NI:1.27-3um/Flash Au:0.03um/Min Selective Au:0.3um/Min	BeCuP07-HT (NGK)
3	Metal Cover	Stainless Steel	NI:1.27-5um	STS304QSP-1/2H (TAIHAN)

General Tolerance		Scale	N/S	mm	DRAWN		5000 USIM Series						
Dimension	mm	±0.2	Date	2005.05.03	5000-6P-2.2(L2)	S / N	A5100658.DWG	Rev'No.					
		±0.1	Drawn	Design	Check	Review	Approval						
		±0.05	M.G. Son										
		±0.01											
		±0.005											
General Tolerance			mm		DRAWN		5000 USIM Series						
Dimension	mm	±0.2	Date	2005.05.03	5000-6P-2.2(L2)	S / N	A5100658.DWG	Rev'No.					
		±0.1	Drawn	Design	Check	Review	Approval						
		±0.05	M.G. Son										
		±0.01											
		±0.005											
General Tolerance			mm		DRAWN		5000 USIM Series						
Dimension	mm	±0.2	Date	2005.05.03	5000-6P-2.2(L2)	S / N	A5100658.DWG	Rev'No.					
		±0.1	Drawn	Design	Check	Review	Approval						
		±0.05	M.G. Son										
		±0.01											
		±0.005											
General Tolerance			mm		DRAWN		5000 USIM Series						
Dimension	mm	±0.2	Date	2005.05.03	5000-6P-2.2(L2)	S / N	A5100658.DWG	Rev'No.					
		±0.1	Drawn	Design	Check	Review	Approval						
		±0.05	M.G. Son										
		±0.01											
		±0.005											
General Tolerance			mm		DRAWN		5000 USIM Series						
Dimension	mm	±0.2	Date	2005.05.03	5000-6P-2.2(L2)	S / N	A5100658.DWG	Rev'No.					
		±0.1	Drawn	Design	Check	Review	Approval						
		±0.05	M.G. Son										
		±0.01											
		±0.005											

HJRC HYUP JIN I&C CO., LTD.

D / N HSA51-00658

4