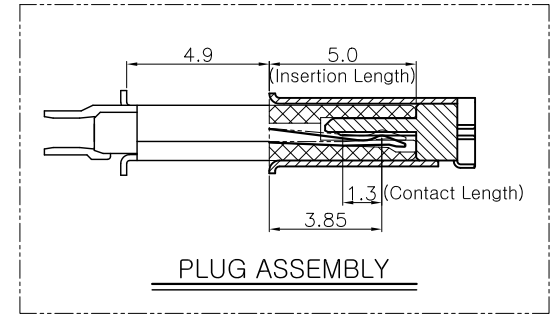
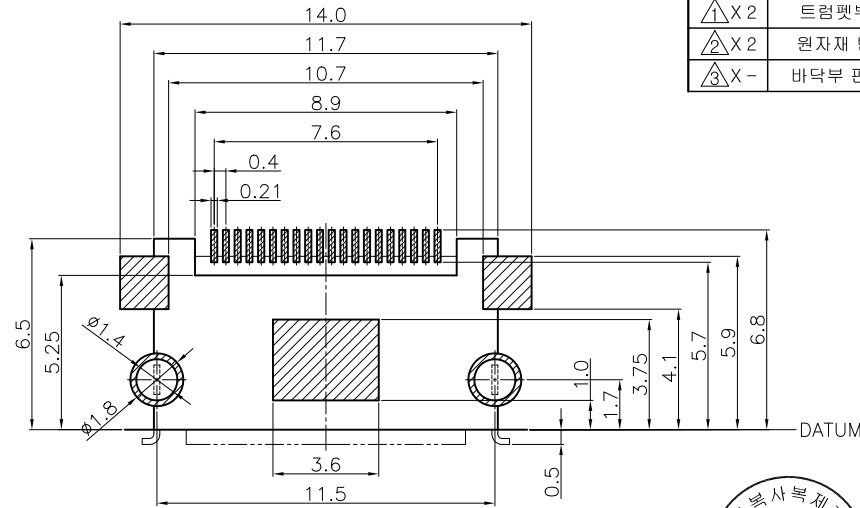
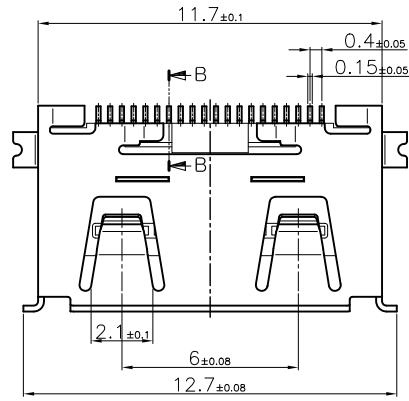
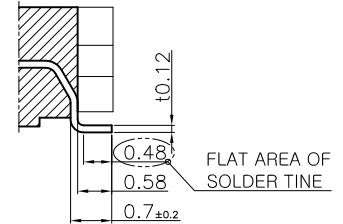


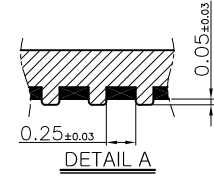
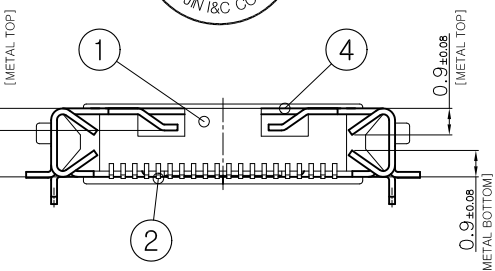
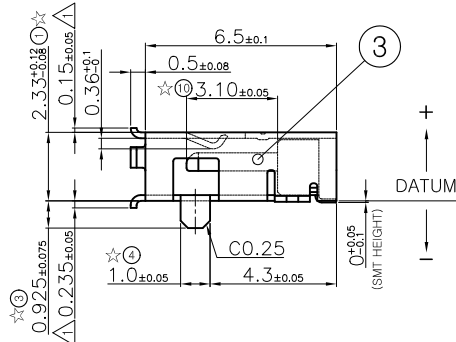
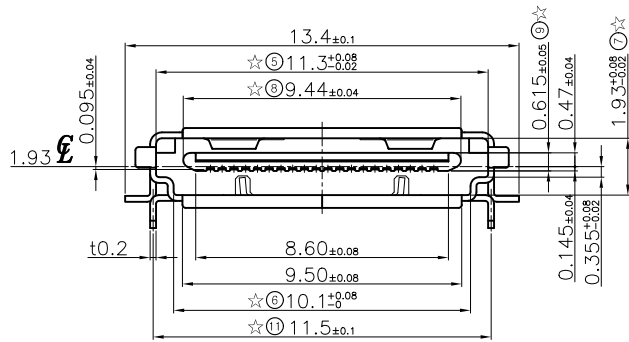
Rev No.	Description of Revision	Date	Name	Approved	ECN No.
△X 2	트럼펫부 Spec. 변경(고객요청)	08.06.04	MUN		
△X 2	원자재 변경 (Halogen free 적용)	08.07.01	MUN		
△X -	바닥부 판스프링 삭제 (고객 요청)	08.10.22	MUN		



P.C.B LAYOUT  
(Tolerance: ±0.05)



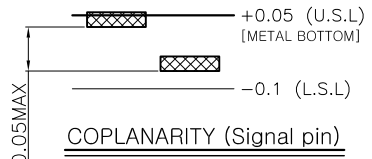
SECTION B-B



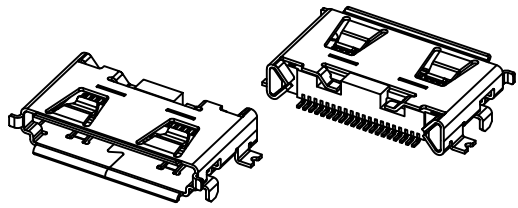
DETAIL A

※ NOTE

1. PLATING  
1) CONTACT - Contact Area : Au 0.3μm min over Ni 1.0~5.0μm  
- Lead Area : Au 0.05μm min over Ni 0.2~3.0μm
2. METAL COVER : Tin 1.0~3.0μm
2. COPLANARITY (Signal pin) : 0.05 MAX
3. ☆ : C.T.Q



COPLANARITY (Signal pin)



No	Descriptions	Material	Finish	Remarks
4	METAL COVER	STS304	Note. 1	t0.2
3	GUARD PLATE	STS304	Cleansing	t0.15
2	CONTACT	△ C7025	Note. 1	t0.12
1	HOUSING	△ HT3	Black Color	UL94V-0

General Tolerance		Scale	N/S	Units	mm	Sheet	TITLE		
Dimension	mm (°)	Date	2007. 08. 22		1 of 1		HY20-AB0350 S20 SOCKET - Standard		
X	± 0.1	Drawn	Design	Checked	Reviewed	Approved	Customer Drawing		
X.X		M. Y. LEE					SW No.	Rev.	
X.XX							DWG No.		
X.XXX									
ANGLE	± 1°	<b>HJIC</b> HYUPJIN I&C CO., LTD.					HY20-AB0350-A1		