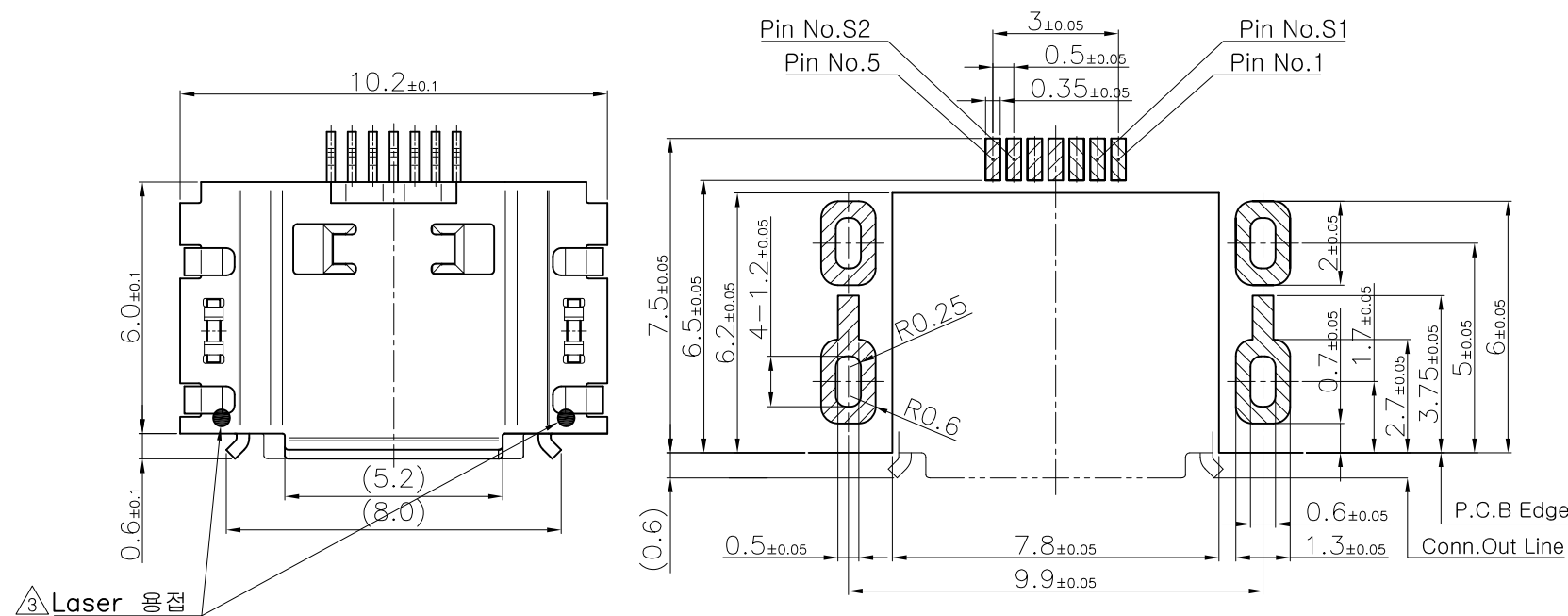
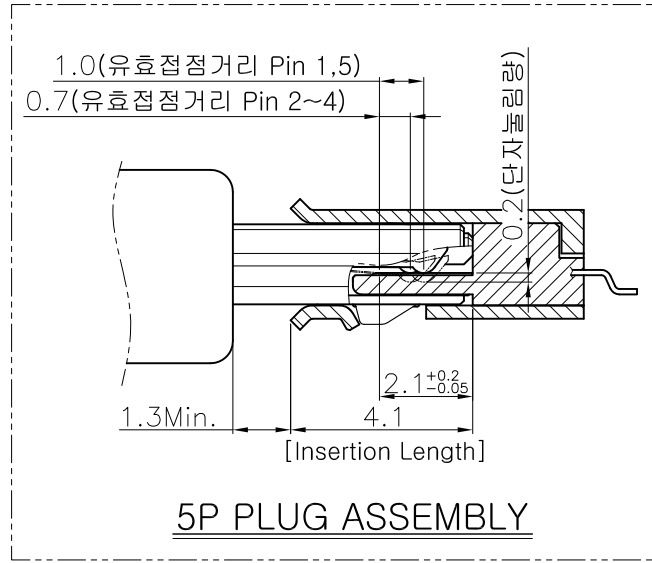


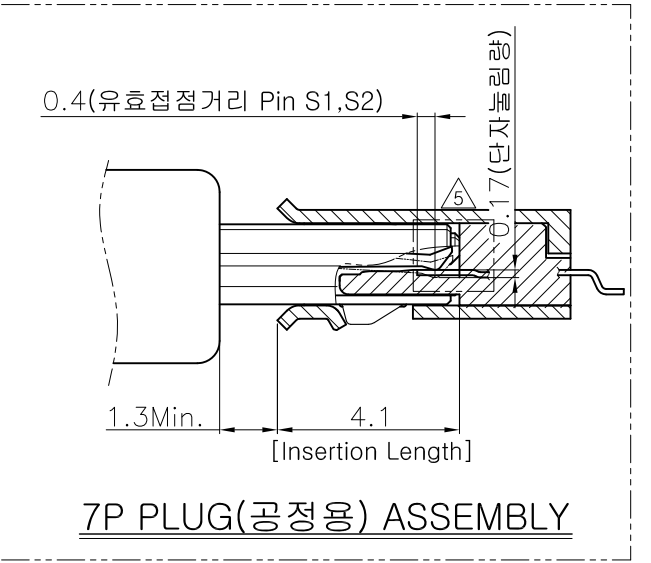
Rev No.	Description of Revision	Date	Name	Approved	ECN No.
④ X 1	DIP 단자 길이 변경	09.12.14	Noh		
⑤ X 1	S단자 형상 및 MOLD 형상 변경	10.03.26	Noh		
⑥ X -	MOLD 형상 변경	10.04.08	LEE		



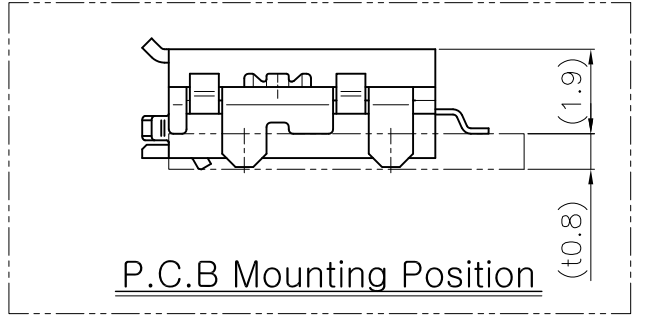
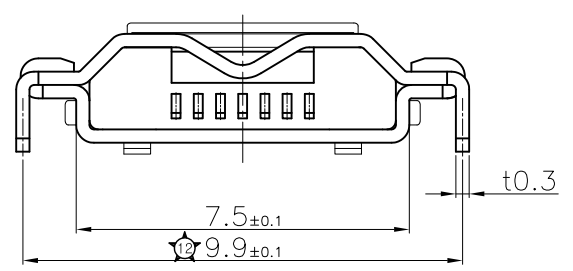
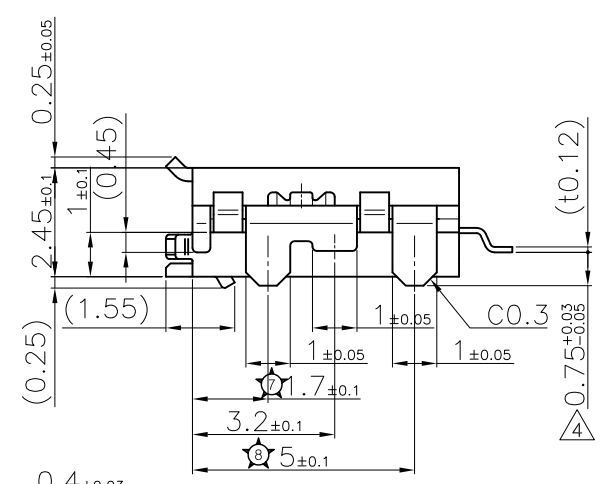
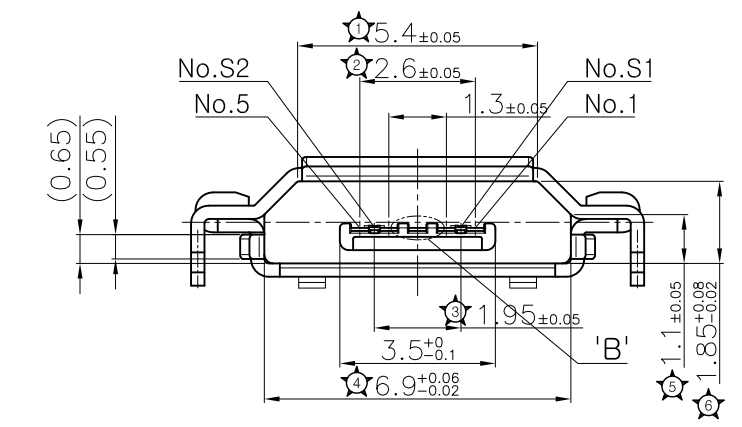
P.C.B LAYOUT



5P PLUG ASSEMBLY

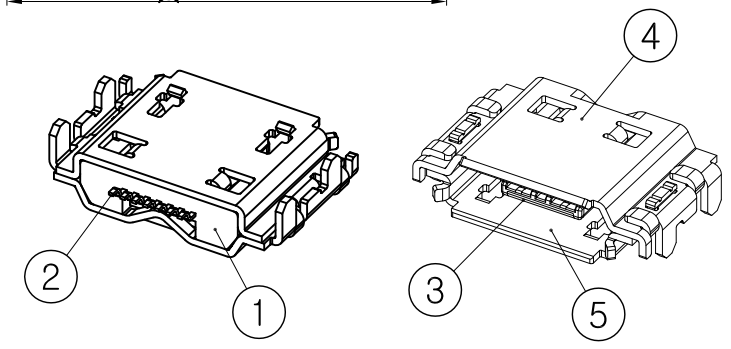


7P PLUG(공정용) ASSEMBLY



P.C.B Mounting Position

- ※ NOTE
- PLATING
 - CONTACT
 - Contact Area : Au 0.75 μ m Min over Ni 2.0~5.0 μ m.
 - Lead Area : Au 0.05 μ m Min over Ni 0.2~3.0 μ m.
 - METAL COVER : Ni 1.0~5.0 μ m.
 - ☆ : C.T.Q
 - COPLANARITY : 0.08 MAX
-

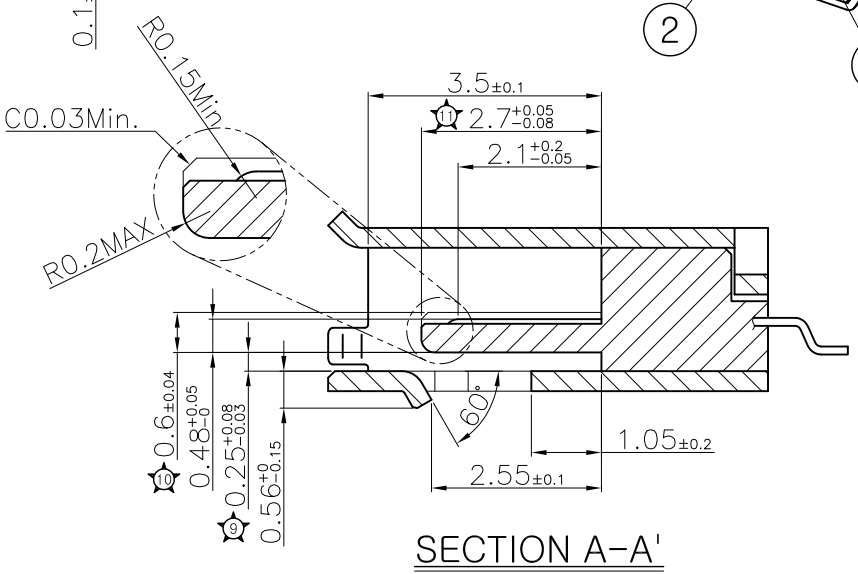
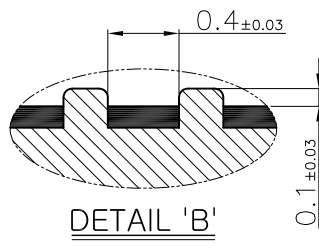
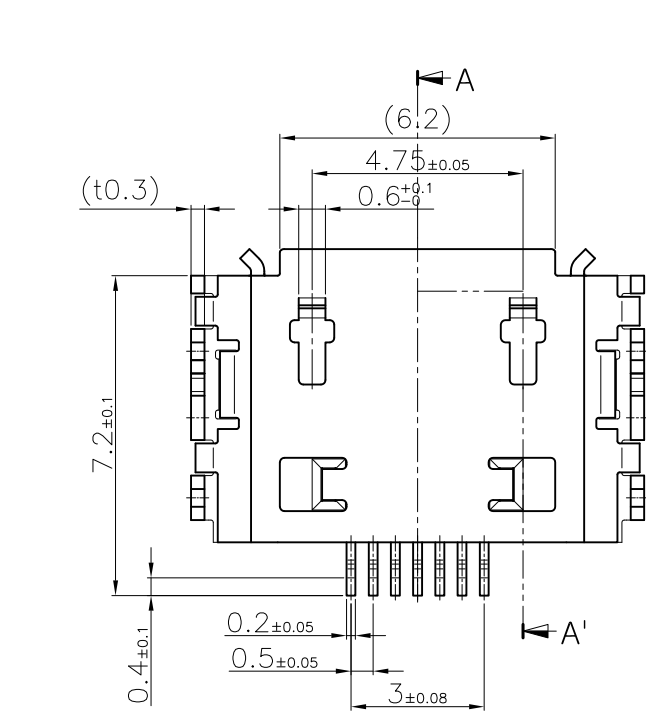


No	Descriptions	Material	Finish	Remarks
5	METAL COVER(B)	STS304	Note. 1	t0.3
4	METAL COVER(A)	STS304	Note. 1	t0.3
3	GUARD PLATE	STS304	Cleansing	t0.12
2	CONTACT	C7025	Note. 1	t0.12
1	HOUSING	③ CR310	Black Color	UL94V-0

General Tolerance		Scale	Units	Sheet	TITLE	
Dimension	mm (°)	N/S	mm	1 of 1	HY07-AB0770	
X	± 0.2	Date	2008. 04. 10		MMI 7P (USB) : Rvs. CUT	
X.X	± 0.1	Drawn	J. H. MUN	Checked	Reviewed	Approved
X.XX	± 0.05					
X.XXX	± 0.01					
ANGLE	± 1°					

HJ&C HYUP JIN I&C CO., LTD.

SW No. _____
 DWG No. HY07-AB0770-A1
 Rev. 5



SECTION A-A'