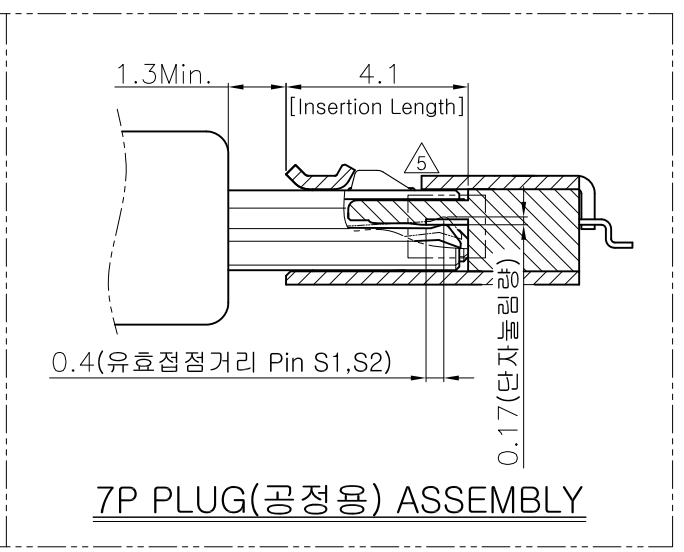
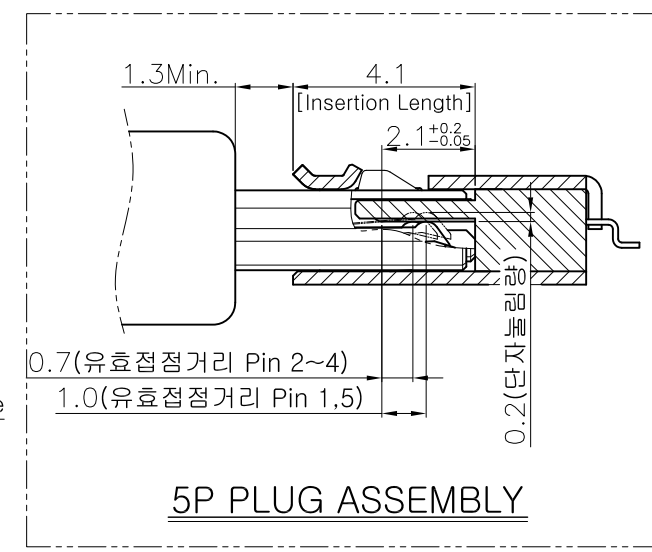
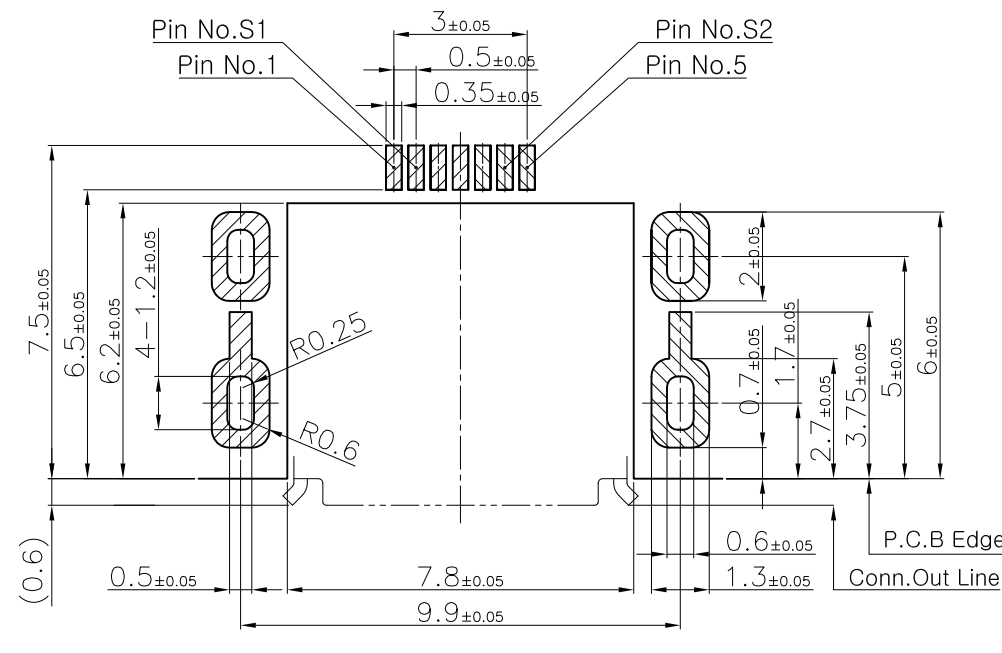
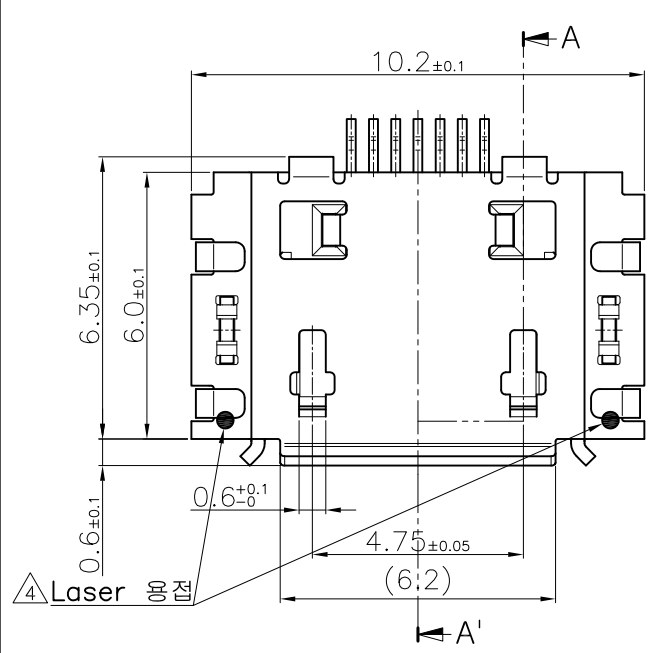


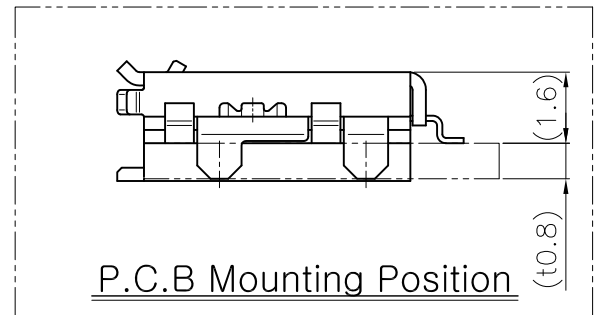
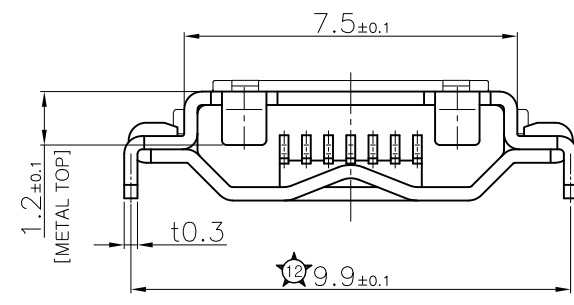
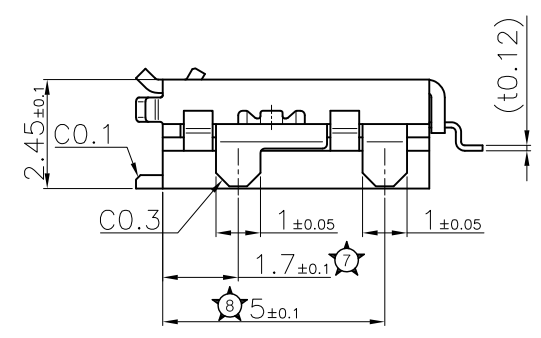
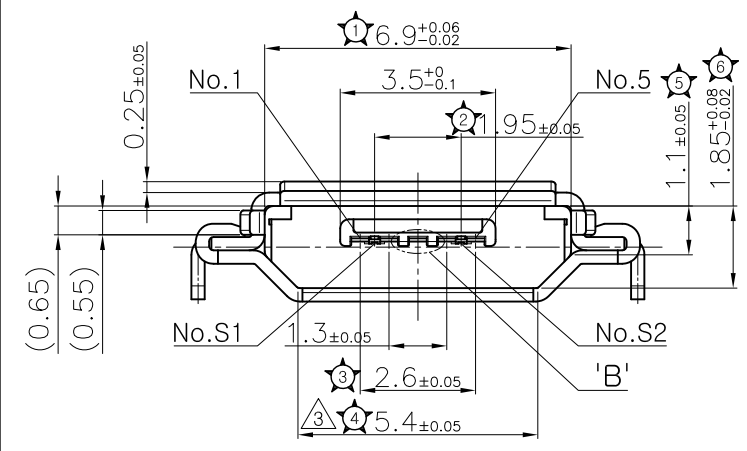
Rev No.	Description of Revision	Date	Name	Approved	ECN No.
③ X 1	PLUG 삽입부 형상 변경 (고객 요청)	08.01.05	MUN		
④ X 2	뒤틀림 강도 개선 및 원자재 변경	09.10.21	이병식		
⑤ X 1	S단자 형상 및 MOLD형상 변경	10.03.26	이병식		



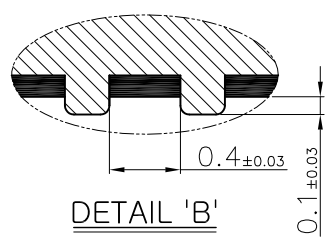
P.C.B LAYOUT

5P PLUG ASSEMBLY

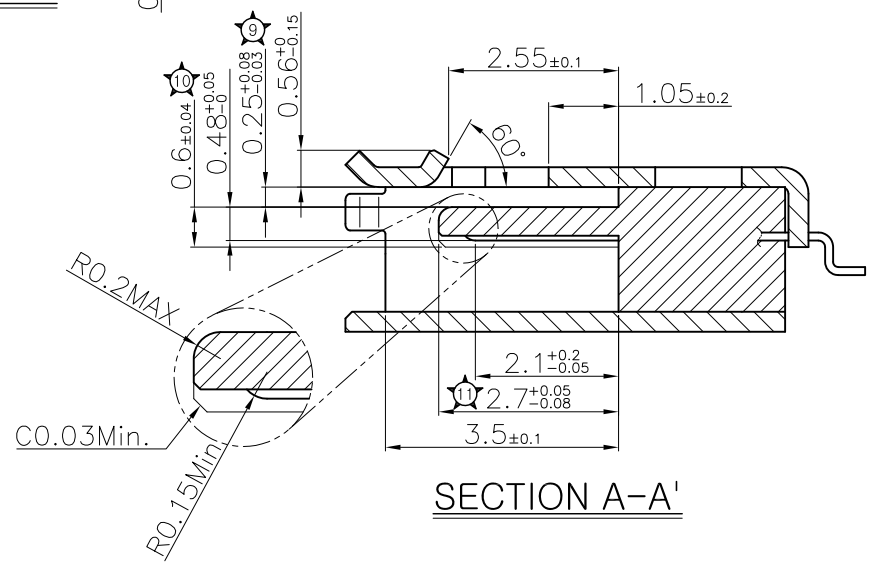
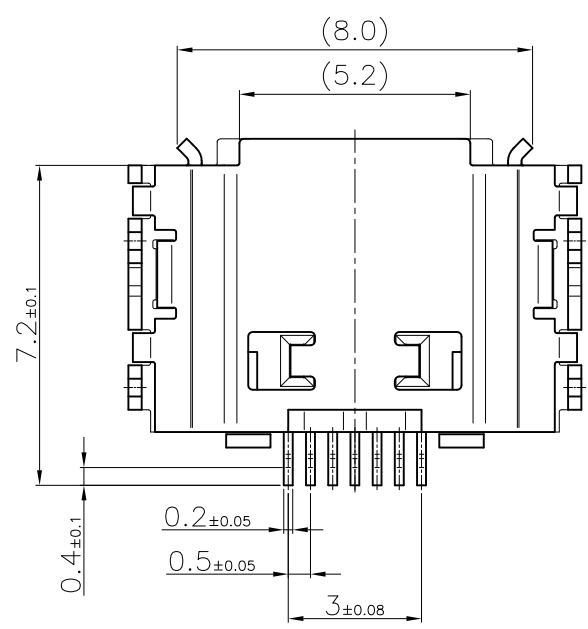
7P PLUG(공정용) ASSEMBLY



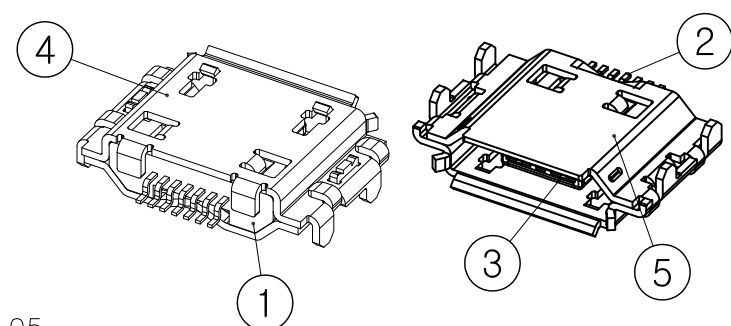
P.C.B Mounting Position



DETAIL 'B'

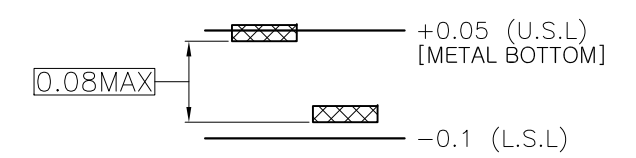


SECTION A-A'



※ NOTE

- PLATING
 - CONTACT
 - Contact Area : Au 0.75 μ m Min over Ni 2.0~5.0 μ m.
 - Lead Area : Au 0.05 μ m Min over Ni 0.2~3.0 μ m.
 - METAL COVER : Ni 1.0~5.0 μ m.
- ☆ : C.T.Q
- COPLANARITY : 0.08 MAX



No	Descriptions	Material	Finish	Remarks
5	METAL COVER(B)	STS304	Note. 1	t0.3
4	METAL COVER(A)	STS304	Note. 1	t0.3
3	GUARD PLATE	STS304	Cleansing	t0.12
2	CONTACT	C7025	Note. 1	t0.12
1	HOUSING	④CR310	Black Color	UL94V-0

General Tolerance		Scale	Units	mm	Sheet	TITLE	
Dimension	mm (°)	Date	2008. 03. 24		1 of 1	HY07-AB0720	
X	± 0.2	Drawn	Design	Checked	Reviewed	Approved	MMI 7P (USB) : Std. CUT
X.X	± 0.1	J. H. MUN					Customer Drawing
X.XX	± 0.05						SW No.
X.XXX	± 0.01						DWG No.
ANGLE	± 1°	HJ&C HYUP JIN I&C CO., LTD.					Rev.
						HY07-AB0720-A1	5