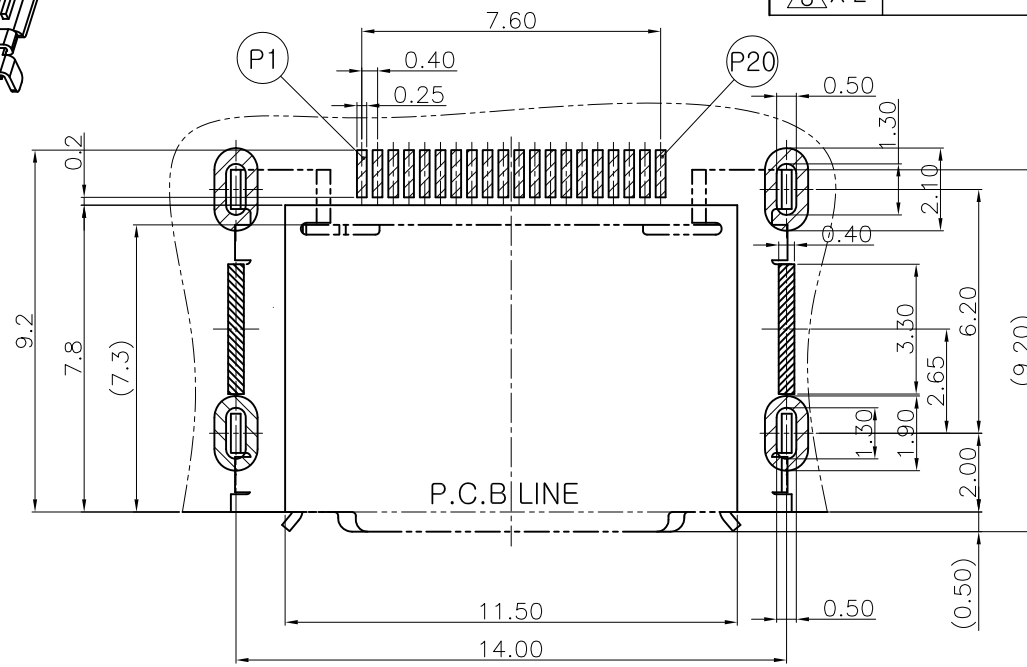
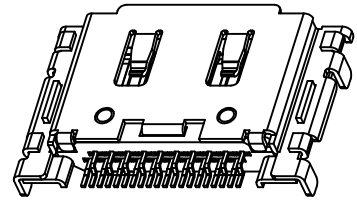
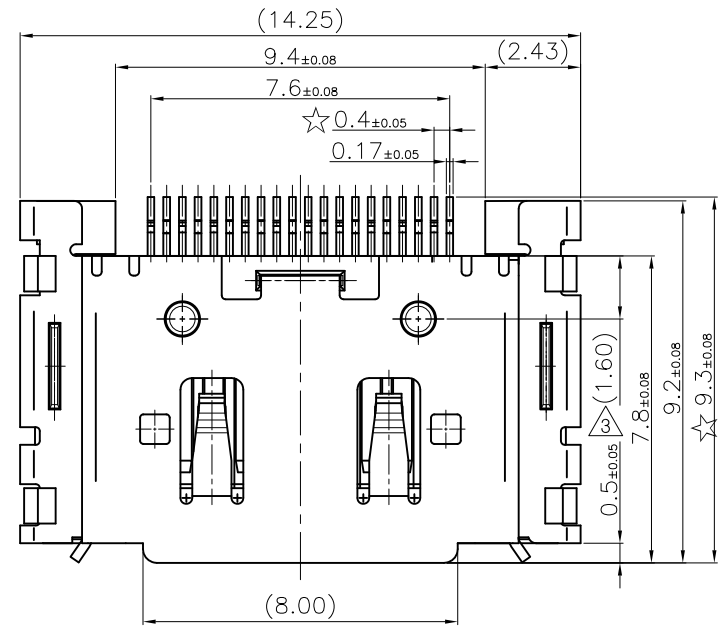
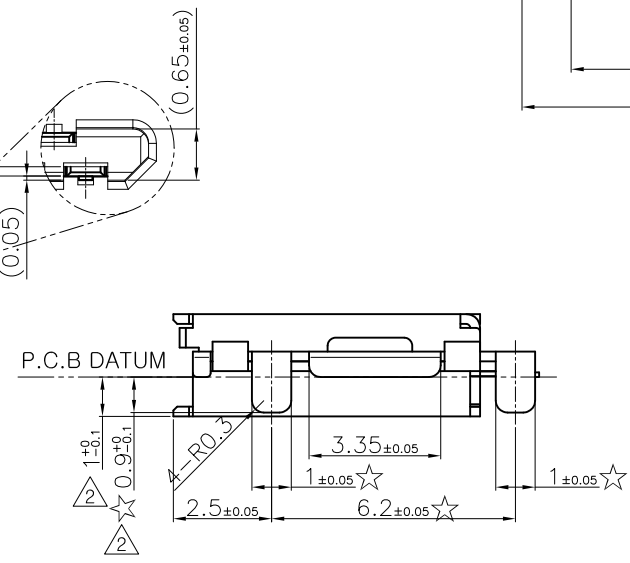
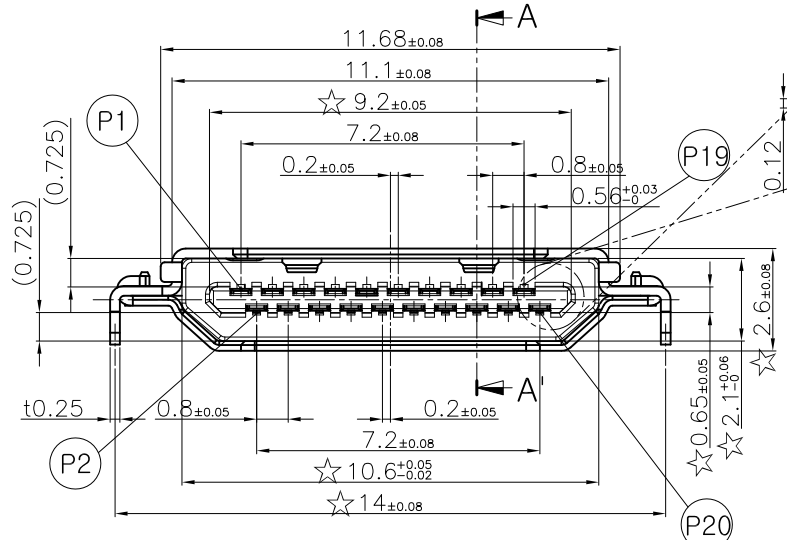
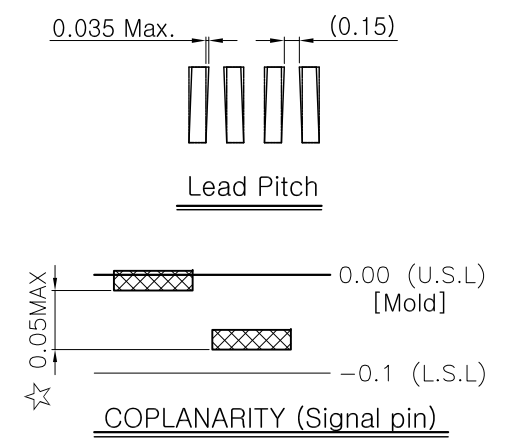


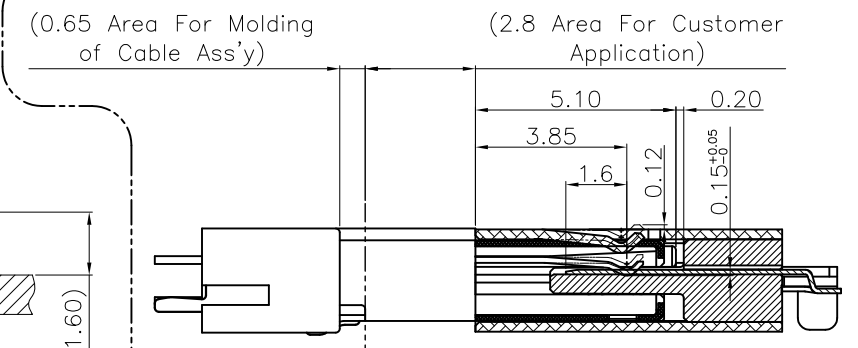
Rev No.	Description of Revision	Date	Name	Approved	ECN No.
① X 3	원자재 변경건	08.08.07	이병식		080807-01
② X 2	P.C.B실장 관리치수 추가 (고객 요청)	09.03.06	이병식		090306-01
③ X 2	형상변경	09.08.24	이병식		



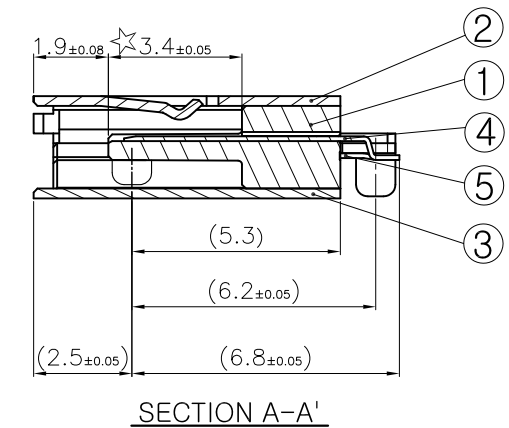
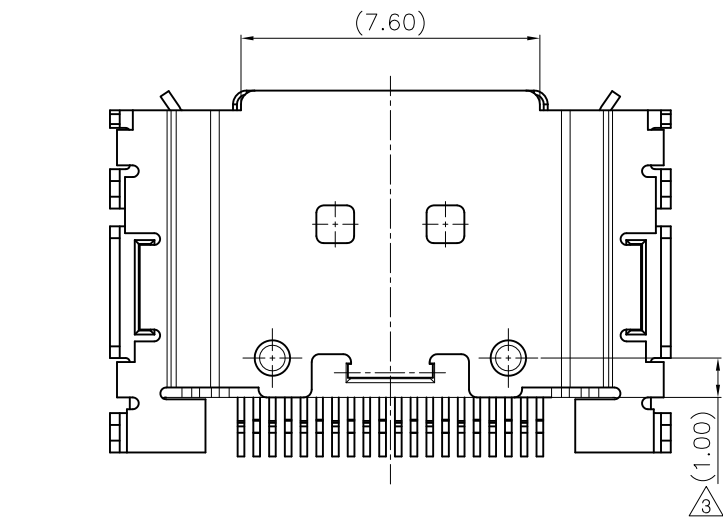
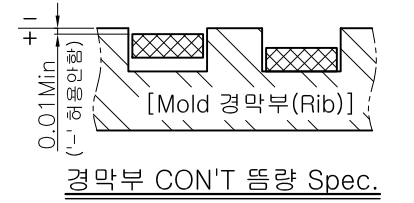
P.C.B Layout
(Tolerance : ±0.05)



P.C.B 실장



Plug Assembly



SECTION A-A'

※ NOTE
 1. PLATING
 1) CONTACT - Contact Area : Au 0.3μm over Ni 1.0~5.0μm
 - Lead Area : Au 0.05μm over Ni 0.2~3.0μm
 2) METAL COVER : Ni 1.0~5.0μm_(무광)
 2. ☆ = C.T.Q

- ※ Specifications
 1. Voltage Rating : 30V_{AC}/DC
 2. Current Rating : 0.3A/Pin
 3. Operating temperature : -30℃~+80℃
 4. Durability : 10,000 cycles

No	Descriptions	Material	Finish	Remarks
5	CONTACT "B"	△ C7025		Note. 1 t0.12
4	CONTACT "A"	△ C7025		Note. 1 t0.12
3	METAL COVER "B"	STS304		Note. 1 t0.25
2	METAL COVER "A"	STS304		Note. 1 t0.25
1	HOUSING	△ HT3	Black Color	

General Tolerance		Scale	Units	Sheet	TITLE	
Dimension	mm (°)	N/S	mm	1 of 1	HY20-AB0570 TTA 20P SOCKET	
X	± 0.2	Date	2008. 04. 20	Customer Drawing		
X.X	± 0.1	Drawn	Design	Checked	Reviewed	Approved
X.XX	± 0.05	B. S. LEE				
X.XXX	± 0.01	SW No.				
ANGLE	± 1°	DWG No. HY20-AB0570-A1				

HJ&C HYUP JIN I&C CO., LTD.

Rev. 3