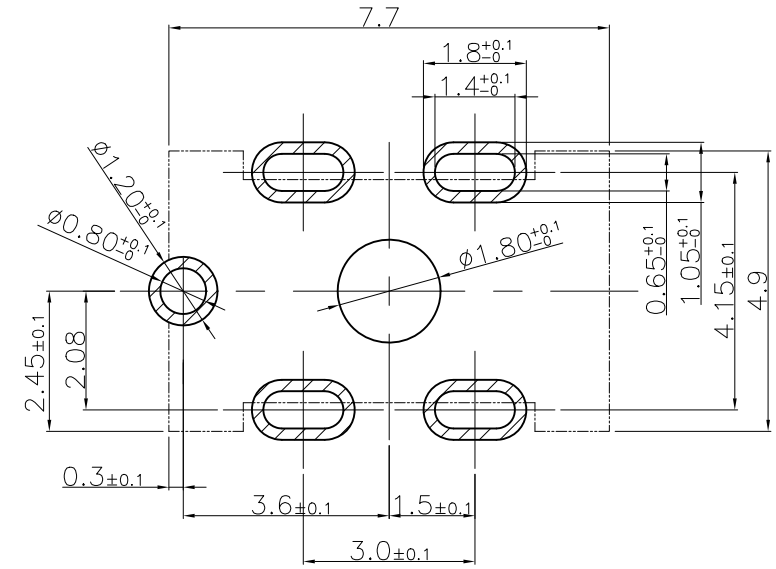
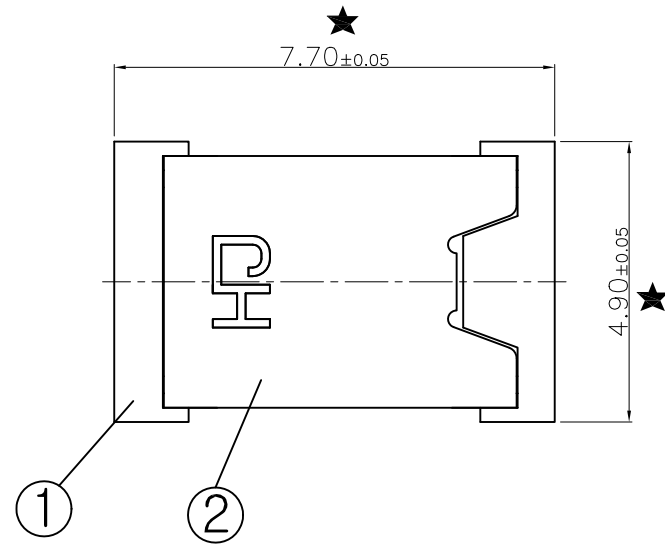
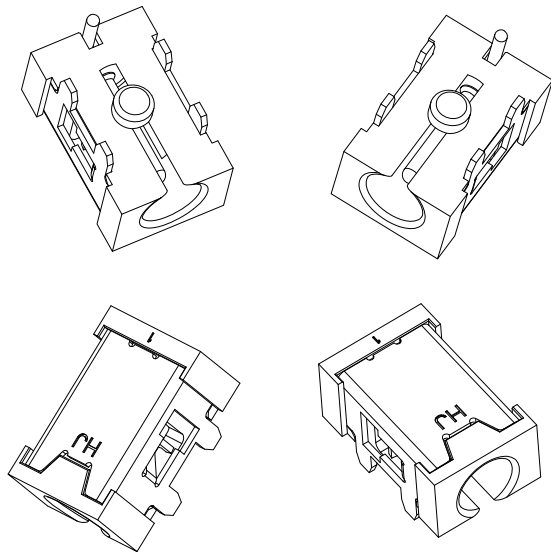
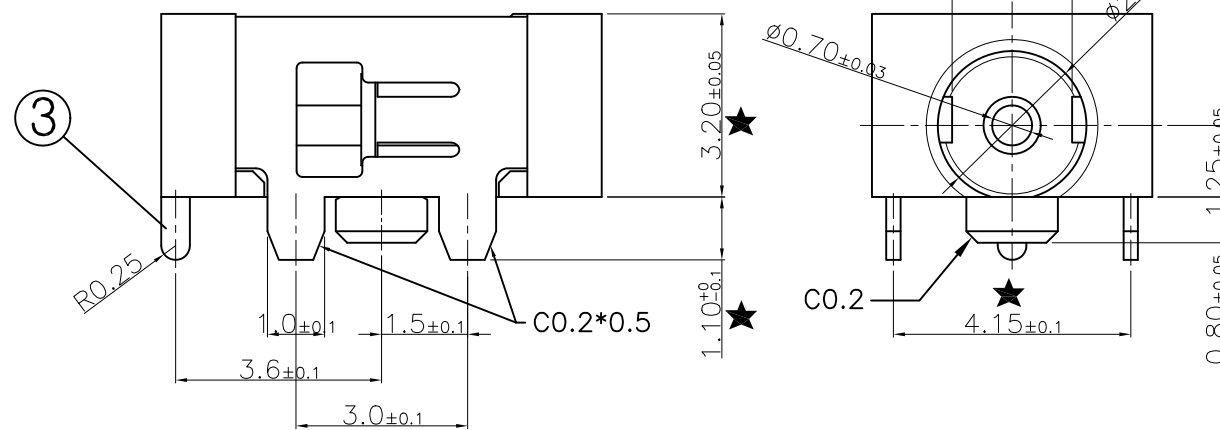
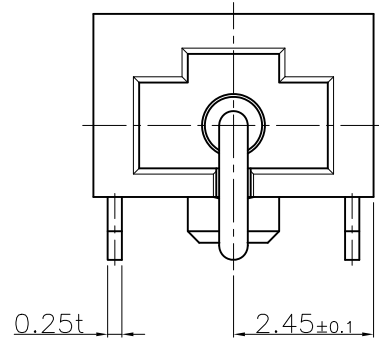


Rev No.	Description of Revision	Date	Name	Approved	ECN No.
△ X 1	Housing Resin 변경(PA9T->PA4T)	2008.10.10	M.G. Son	K.Y. Choi	081010-01



PCB Layout



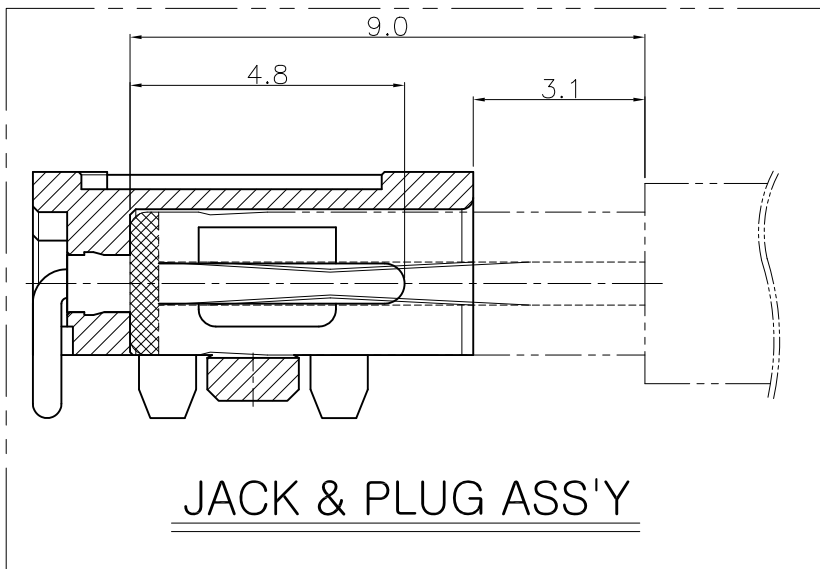
★ = C.T.Q

※ Specifications

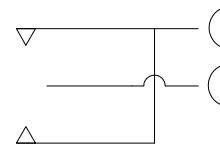
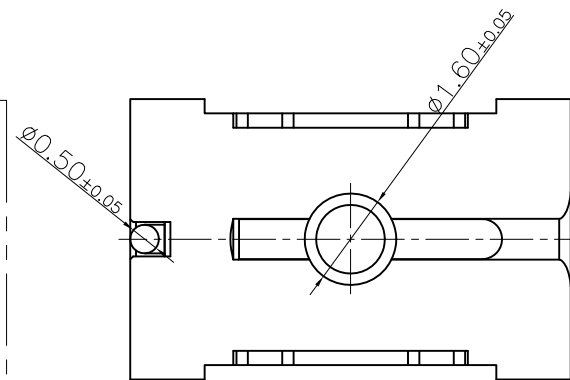
1. Voltage Rating : 30V_{AC}/DC
2. Current Rating : 1.0A/Pin
3. Operating temperature : -40℃~+85℃
4. Plug Insertion Force : 1.3Kgf Max.
5. Plug Withdrawal Force : 0.5~1Kgf Max.
6. Durability : 10,000 cycles(Plug)

※ Plating

- Center Pin : Au 0.05μm Min over Ni 1.0~5.0μm
- Metal Cover : Ni 1.0~5.0μm



JACK & PLUG ASS'Y



CIRCUIT DIAGRAM

3	Center Pin	C3602	Au Flash		
2	Metal Cover	C17530	Nickel Plating		0.25t
1	Housing	△ PA4T PA9T	UL94V-0(Black)		
No	Descriptions	Material	Finish		Remarks
General Tolerance		Scale	N/S	Units	mm
Dimension		mm (°)	Date		2006. 09. 17
X	± 0.2	Drawn		Design	
X.X		Checked		Reviewed	
X.XX		M.G. Son			
X.XXX					
ANGLE		± 3°			
		HJ&C HYUP JIN I&C CO., LTD.			
TITLE		HJ02-AH0120		DC.Jack Connector	
		Customer Drawing			
SW No.				Rev.	
DWG No.		HJ02-AH0120-A1		1	